

FORTUNA ENGINEERING INDUSTRIES



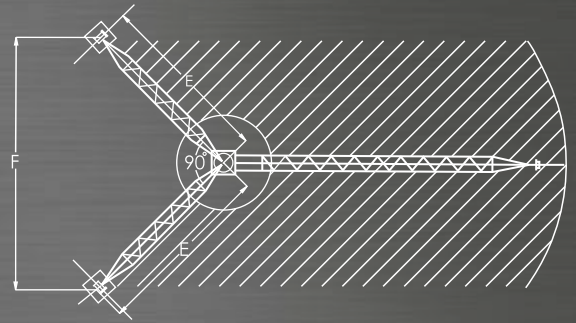
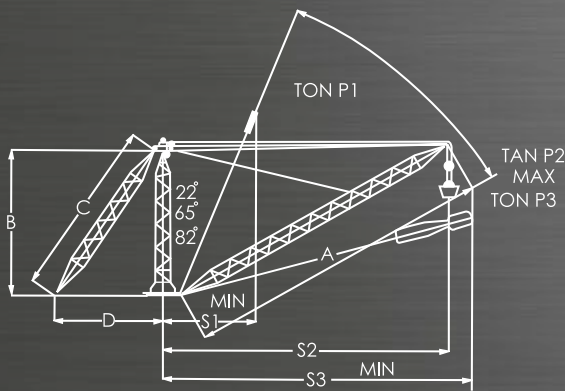
DERRICK CRANE

FORTUNA ENGINEERING INDUSTRIES

Office Address: 701 Shakuntal Apt.,
Opp. C. N. Vidhyalaya, Ambawadi, Ahmedabad – 380 015
Tel: +91 79 26445362

Factory Address: Jetwas Village, State Highway 9,
Near GIDC Estate, Ambaji – 385 110
Tel: +91 2749 262383

Email: info@fortunaengg.com



| DERRICK CAPACITY | | OVERALL DIMENSIONS | | | | | | JIB | | | WEIGHT | | |
|------------------|----------|--------------------|--------|--------|--------|--------|--------|---------|---------|---------|---------|---------|---------|
| M.T. | JIB Mtr. | A Mtr. | B Mtr. | C Mtr. | D Mtr. | E Mtr. | F Mtr. | S1 Mtr. | S2 Mtr. | S3 Mtr. | P1 Mtr. | P2 Mtr. | P3 Mtr. |
| 20 | 40 | 40 | 20 | 28 | 14 | 20 | 28 | 15 | 36 | 39 | 20 | 20 | 16 |
| | 50 | 50 | 25 | 35 | 18 | 25 | 36 | 19 | 45 | 49 | 20 | 20 | 16 |
| | 60 | 60 | 30 | 42 | 21 | 30 | 42 | 22 | 54 | 59 | 20 | 20 | 16 |
| 25 | 40 | 40 | 20 | 28 | 14 | 20 | 28 | 15 | 36 | 39 | 25 | 25 | 20 |
| | 50 | 50 | 25 | 35 | 18 | 25 | 36 | 19 | 45 | 49 | 25 | 25 | 20 |
| | 60 | 60 | 30 | 42 | 21 | 30 | 42 | 22 | 54 | 59 | 25 | 25 | 20 |
| 32 | 40 | 40 | 20 | 28 | 14 | 20 | 28 | 15 | 36 | 39 | 32 | 32 | 25 |
| | 50 | 50 | 25 | 35 | 18 | 25 | 36 | 19 | 45 | 49 | 32 | 32 | 25 |
| | 60 | 60 | 30 | 42 | 21 | 30 | 42 | 22 | 54 | 59 | 32 | 32 | 25 |
| 40 | 40 | 40 | 20 | 28 | 14 | 20 | 28 | 15 | 36 | 39 | 40 | 40 | 30 |
| | 50 | 50 | 25 | 35 | 18 | 25 | 36 | 19 | 45 | 49 | 40 | 40 | 30 |
| | 60 | 60 | 30 | 42 | 21 | 30 | 42 | 22 | 54 | 59 | 40 | 40 | 30 |
| 50 | 40 | 40 | 20 | 28 | 14 | 20 | 28 | 15 | 36 | 39 | 50 | 50 | 38 |
| | 50 | 50 | 25 | 35 | 18 | 25 | 36 | 19 | 45 | 49 | 50 | 50 | 38 |
| | 60 | 60 | 30 | 42 | 21 | 30 | 42 | 22 | 54 | 59 | 50 | 50 | 38 |
| 60 | 40 | 40 | 20 | 28 | 14 | 20 | 28 | 15 | 36 | 39 | 60 | 60 | 45 |
| | 50 | 50 | 25 | 35 | 18 | 25 | 36 | 19 | 45 | 49 | 60 | 60 | 45 |
| | 60 | 60 | 30 | 42 | 21 | 30 | 42 | 22 | 54 | 59 | 60 | 60 | 45 |

Technical Details

- ◆ The Jib, Column and Tie Members are made of welded M. S. Angles.
- ◆ The Tie Members and Pulley Blocks for the Jib are connected by a special hinge arrangement made on top of the Column.
- ◆ The Platform of the Winch rotates on Special Thrust Bearing.
- ◆ The Winch unit consists of Electric Motors driving a Variable Speed Gearbox that in turn drives a Helical Gearbox manufactured by a reputed company.

FORTUNA ENGINEERING INDUSTRIES

- ◆ There are different Motors for different movements like:
 1. Lifting and Lowering of the Hook.
 2. Lifting and Lowering of the Jib.
- ◆ Hydraulic Thruster Brakes are provided for both the Hook and the Jib movements.
- ◆ Rotation of Derrick Crane takes place with the help of a Reduction Gearbox and a Chain of Gears.
- ◆ The pulleys are mounted with special heavy duty Bearings.