

FORTUNA ENGINEERING INDUSTRIES

Also Available

**6X
HIGH
SPEED**

DERRICK CRANE

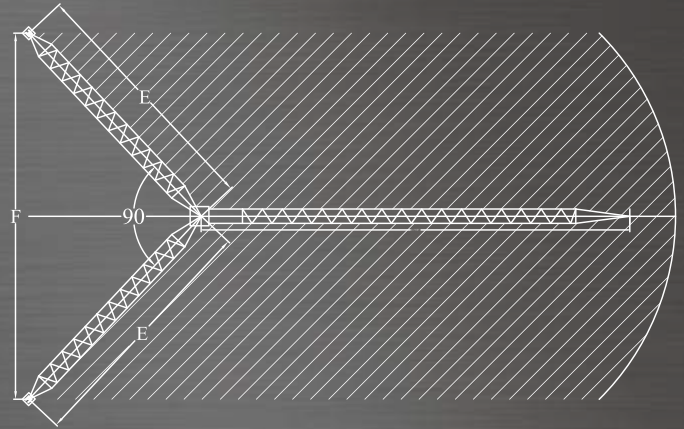
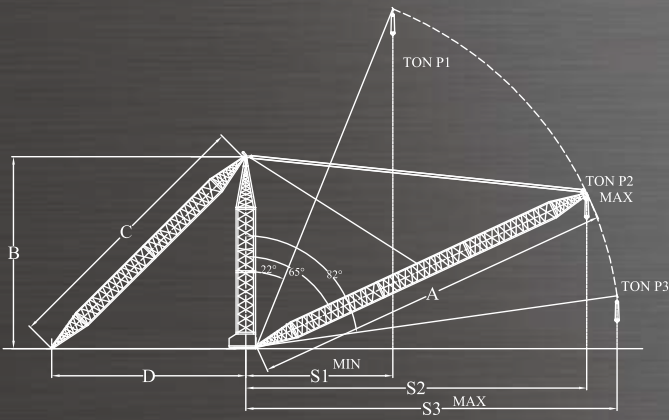


FORTUNA ENGINEERING INDUSTRIES

Office Address : A-911 Ratnakar Nine Square,
Opp. ITC Narmada, Satellite, Ahmedabad - 380 015, Gujarat.
Tel. : + 91 79 4892 2220

Factory Address : Jetwas Village, State Highway 9,
Near GIDC Estate, Ambaji - 385 110.
Tel. : + 91 79 48922220

Email : info@fortunaengg.com



DERRICK CAPACITY		OVERALL DIMENSIONS						JIB			WEIGHT		
M.T.	JIB Mtr.	A Mtr.	B Mtr.	C Mtr.	D Mtr.	E Mtr.	F Mtr.	S1(22°) Mtr.	S2(65°) Mtr.	S3(82°) Mtr.	P1 M.T.	P2 M.T.	P3 M.T.
20	40	40	20	28	14	20	28	15	36	39	20	20	16
	50	50	25	35	18	25	36	19	45	49	20	20	16
	60	60	30	42	21	30	42	22	54	59	20	20	16
25	40	40	20	28	14	20	28	15	36	39	25	25	20
	50	50	25	35	18	25	36	19	45	49	25	25	20
	60	60	30	42	21	30	42	22	54	59	25	25	20
32	40	40	20	28	14	20	28	15	36	39	32	32	25
	50	50	25	35	18	25	36	19	45	49	32	32	25
	60	60	30	42	21	30	42	22	54	59	32	32	25
40	40	40	20	28	14	20	28	15	36	39	40	40	30
	50	50	25	35	18	25	36	19	45	49	40	40	30
	60	60	30	42	21	30	42	22	54	59	40	40	30
50	40	40	20	28	14	20	28	15	36	39	50	50	38
	50	50	25	35	18	25	36	19	45	49	50	50	38
	60	60	30	42	21	30	42	22	54	59	50	50	38
60	40	40	20	28	14	20	28	15	36	39	60	60	45
	50	50	25	35	18	25	36	19	45	49	60	60	45
	60	60	30	42	21	30	42	22	54	59	60	60	45

Technical Details

- ◆ The Jib, Column and Tie Members are made of welded M. S. Angles.
- ◆ The Tie Members and Pulley Blocks for the Jib are connected by a special hinge arrangement made on top of the Column.
- ◆ The Platform of the Winch rotates on Special Thrust Bearing.
- ◆ The Winch unit consists of Electric Motors driving a Variable Speed Gearbox that in turn drives a Helical Gearbox manufactured by a reputed company.

FORTUNA ENGINEERING INDUSTRIES

- ◆ There are different Motors for different movements like:
 1. Lifting and Lowering of the Hook.
 2. Lifting and Lowering of the Jib.
- ◆ Hydraulic Thruster Brakes are provided for both the Hook and the Jib movements.
- ◆ Rotation of Derrick Crane takes place with the help of a Reduction Gearbox and a Chain of Gears.
- ◆ The pulleys are mounted with special heavy duty Bearings.
- ◆ Fast Type - High Speed Capabilities of speed up to 6X.